

## Instructions for use

Antivibration Pad XS, S, M, L, XL

English (EN)

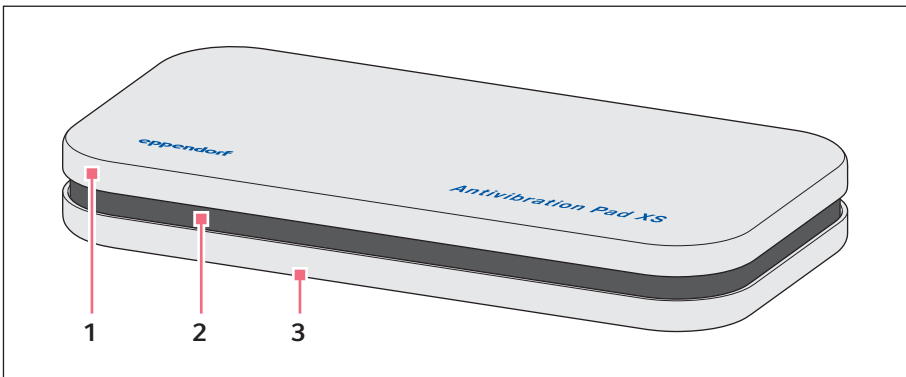
### 1 Intended use

The Antivibration Pads are designed for shock absorption in the specified weight ranges. The Antivibration Pads have been designed and manufactured for research use only. They may only be used indoors.

### 2 Features

The damping plates decouple a micromanipulation workstation from external vibrations. The damping plates reduce shocks and vibrations which may have a negative effect on the microscope, the micromanipulator or the sample.

### 3 Product overview



- 1 Upper shell with specification of the weight range    3 Lower shell with anti-slip mat
- 2 Damping element

## Instructions for use

### 2 Antivibration Pad XS, S, M, L, XL English (EN)

## 4 Sample setup of a micromanipulation system

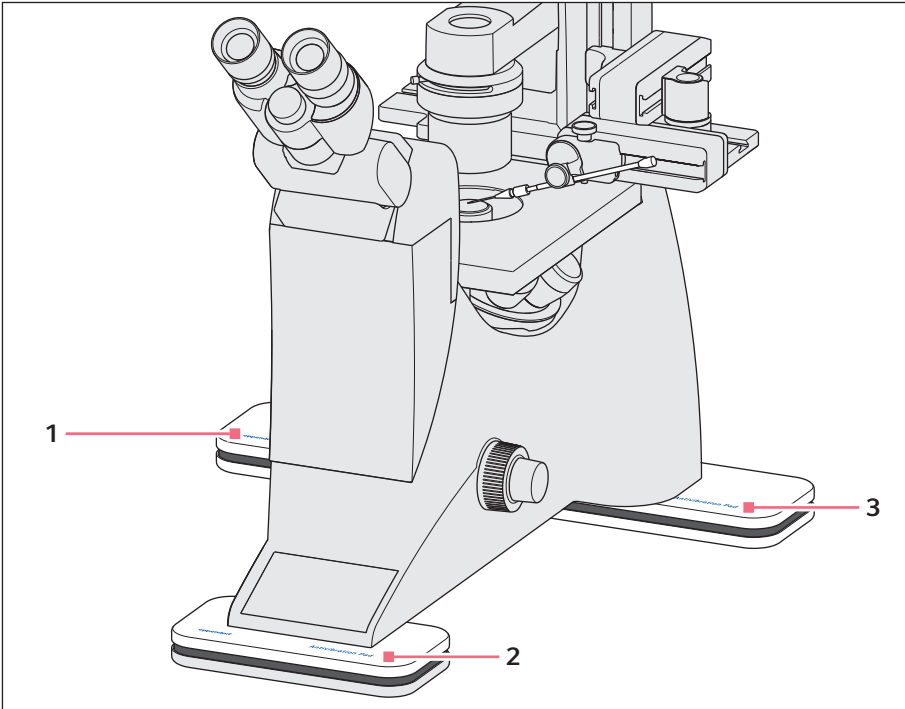


Fig. 1: Sample application

### 1 Left rear

Antivibration Pad M

### 3 Right rear

Antivibration Pad L

### 2 Front

Antivibration Pad M

## 5 Installation



### **CAUTION! Risk of injury due to lifting or carrying of heavy loads**

The microscope is heavy. Lifting and carrying the microscope can lead to back injuries.

- ▶ Lift the microscope with the help of an assistant.

## 5.1 Determine the load

### Prerequisites

- The microscope is assembled
- The adapter for microscope is mounted on the micromanipulator
- A digital balance with at least one decimal place is available
- Three spacers (length  $\geq 20$  cm, width  $\geq 5$  cm, height = height of the balance) are available

The load must be determined separately for each microscope base.

1. Position the scale in the middle under a microscope base.
2. Position the spacers in the middle under the other microscope bases.
3. Read off the load from the scale and note it down.
4. Determine the load for all microscope feet.
5. Select suitable damping plates for the loads.

## 5.2 Position the microscope on the damping plates

1. Position a suitable damping plate under each microscope base.
2. Place the damping plate in the middle under the microscope base.

## 5.3 Check the weight distribution

The damping plate should yield evenly 1.5 – 2 mm to effectively absorb vibrations.

1. Check centering.  
The microscope base should be positioned centrally on the damping plate.  
The damping plate may not be subjected to load on only one side.
2. Check the distance between the upper and lower shell of the damping plate.  
The distance between the upper shell and the lower shell must be the same on all 4 sides.
3. Check the alignment of the upper shell and lower shell to each other.  
The shells of the damping plates must not be shifted against each other.

**4** **Instructions for use**  
Antivibration Pad XS, S, M, L, XL  
English (EN)

**6** **Technical data**

Type	Weight range in kg
XS	4.5 – 6.0
S	6.0 – 8.0
M	8.0 – 10.0
L	10.0 – 12.5
XL	12.5 – 16.5

**Dimensions**

Width	110 mm
Length	220 mm
Height	30 mm
Weight	750 g
Footprint	Microscope footprint + 100 mm per side

**Admissible load**

Admissible sinking depth	1.5 – 2 mm
Admissible compression (continuous load over 5 years)	approx. 4 mm

**Ambient conditions**

Ambient temperature	15 °C – 35 °C
Relative humidity	max. 70 %

## 7 Troubleshooting

Problem	Cause	Solution
No damping or damping too low.	<ul style="list-style-type: none"> <li>• The upper and lower shells of the damping plate touch each other.</li> <li>• The microscope base is not centered on the damping plate.</li> </ul>	<ul style="list-style-type: none"> <li>▶ Position the damping plate in the middle under the microscope base.</li> </ul>
	<ul style="list-style-type: none"> <li>• The upper and lower shells of the damping plate touch each other.</li> <li>• The weight range of the damping plate is too low.</li> </ul>	<ul style="list-style-type: none"> <li>▶ Determine the load.</li> <li>▶ Select a suitable damping plate for the load.</li> </ul>
	<ul style="list-style-type: none"> <li>• The weight range of the damping plate is too high.</li> <li>• The damping plate is not compressed sufficiently (1.5 – 2 mm)</li> </ul>	<ul style="list-style-type: none"> <li>▶ Determine the load.</li> <li>▶ Select a suitable damping plate for the load.</li> </ul>
No damping or damping too low after a long period of time.	<ul style="list-style-type: none"> <li>• Weight range of the damping plate was too low during installation.</li> <li>• The damping plate was compressed more than 2 mm.</li> </ul>	<ul style="list-style-type: none"> <li>▶ Determine the load.</li> <li>▶ Select a suitable damping plate for the load.</li> </ul>

## 8 Cleaning



### **NOTICE! Damage from the use of aggressive chemicals.**


- ▶ Do not use any aggressive chemicals on the device or its accessories, such as strong and weak bases, strong acids, acetone, formaldehyde, halogenated hydrocarbons or phenol.
- ▶ If the device has been contaminated by aggressive chemicals, clean it immediately using a mild cleaning agent.

## Instructions for use

Antivibration Pad XS, S, M, L, XL

English (EN)

### 9 Disinfection

-  ▶ Select disinfection methods that comply with the legal regulations and guidelines for your area of application.
- ▶ If you have any questions regarding cleaning, disinfection and decontamination, please contact Eppendorf AG.

Prerequisites

- The damping plates have been cleaned
- A disinfectant containing alcohol (such as isopropanol or spirit) is available
- ▶ Wipe down the damping plates with a cloth and the disinfectant.

### 10 Decontamination before shipment

If you are shipping the device to the authorized Technical Service for repairs or to your authorized dealer for disposal please note the following:



---

#### **WARNING! Risk to health from contaminated device.**

1. Observe the information in the decontamination certificate. It is available as a PDF document on our webpage ([www.eppendorf.com/decontamination](http://www.eppendorf.com/decontamination)).
  2. Decontaminate all the parts you are going to dispatch.
  3. Include the fully completed decontamination certificate in the shipment.
- 

### 11 Ordering information

Order no. (International)	Description
	<b>Antivibration Pad</b>
5181 301.009	XS, weight range 4.5 – 6.0 kg
5181 303.001	S, weight range 6.0 – 8.0 kg
5181 305.004	M, weight range 8.0 – 10.0 kg
5181 307.007	L, weight range 10.0 – 12.5 kg
5181 309.000	XL, weight range 12.5 – 16.5 kg

Your local distributor: [www.eppendorf.com/contact](http://www.eppendorf.com/contact)

Eppendorf AG · Barkhausenweg 1 · 22339 Hamburg · Germany

[eppendorf@eppendorf.com](mailto:eppendorf@eppendorf.com) · [www.eppendorf.com](http://www.eppendorf.com)